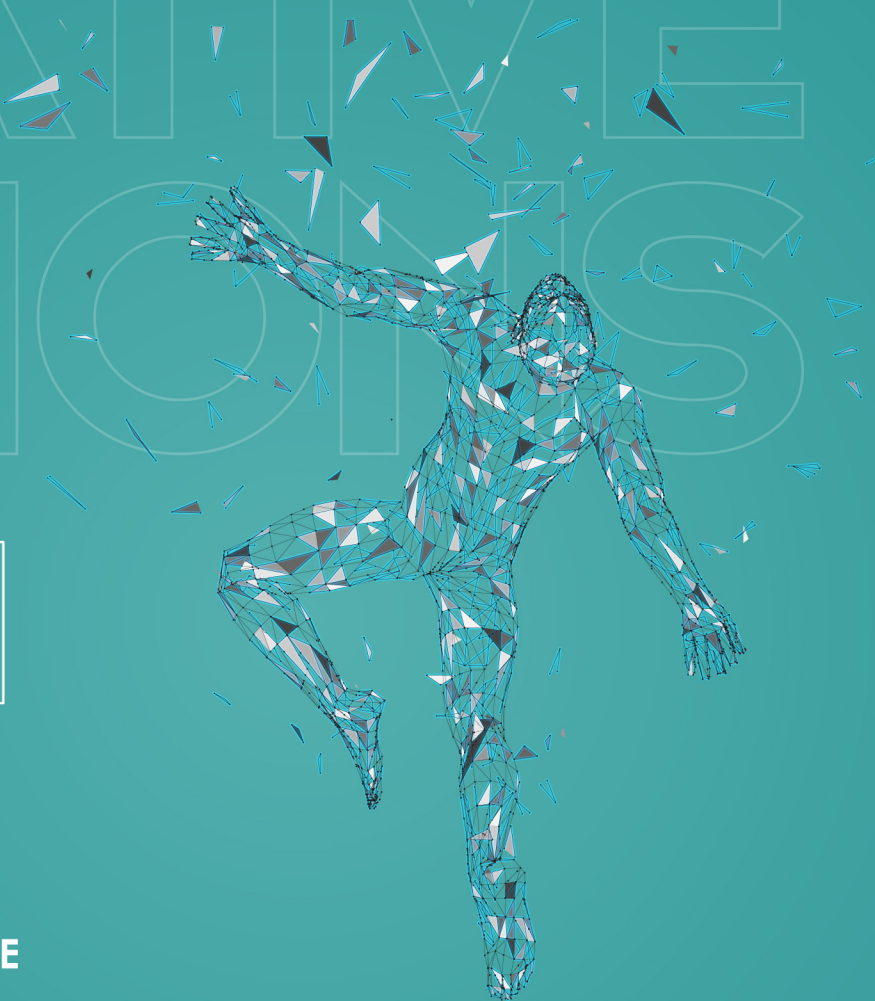


# INNOVATIVE SOLUTIONS



[ crea spine ]

A C I F C A G E  
BLADED EXPANDABLE



**BTB Medical**  
a subsidiary of **GROUP BTB**

[www.groupbtbmedical.com](http://www.groupbtbmedical.com)

# INNOVATIVE SOLUTIONS

# INNOVATIVE SOLUTIONS

## ACIF CAGE BLADED EXPANDABLE



The cervical bladed expandable cage implant is produced from PEEK material, a thermoplastic solution compatible with the body and causes no artifact. Completely compatible with MRI for in-vivo applications. The cage system is also available in forms of; rigid, bladed, expandable and bladed expandable alternatives;

- Blades for a more reliable holding between the endplates and enabling level adjustment.
- Has a wide measurement range for height starting from 4 mm to 8 mm with 1 mm increment. External dimension range variations of 12x14mm and 14x16mm.
- Has special threaded structure for extra stabilization in the application area.
- The cage has large graft application space to provide maximum fusion.
- The functional and robust application sets are designed and manufactures to facilitate the surgical application as well as to provide comfort for the patient.



[www.groupbttbmedical.com](http://www.groupbttbmedical.com)

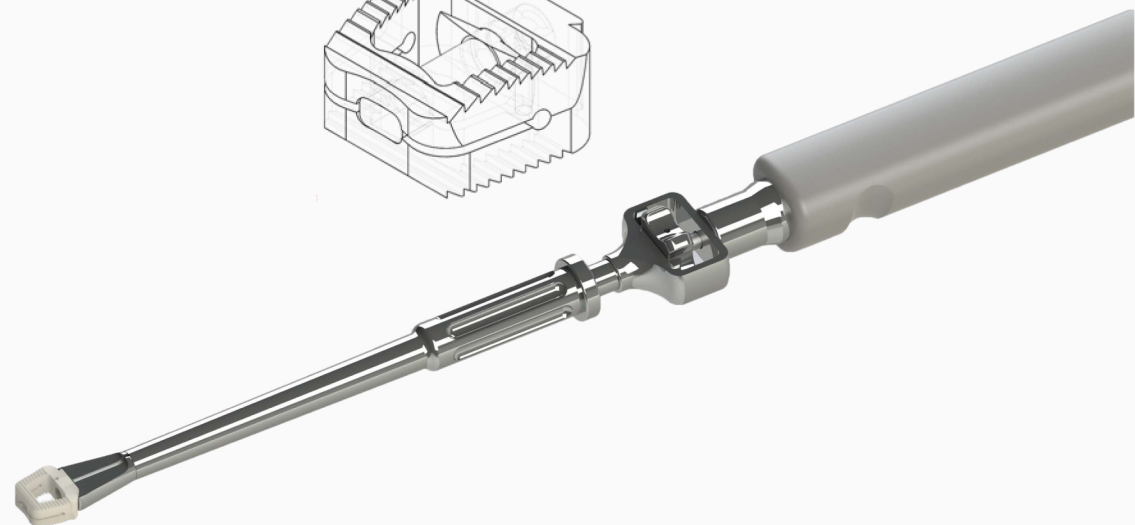
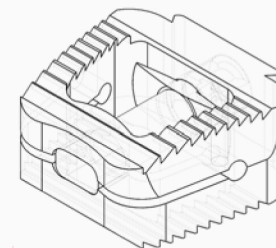
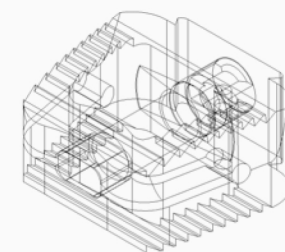


## ACIF BLADED EXPANDABLE CAGE INSTRUMENT SET

DESCRIPTION	QUANTITY	REF.NO
AWL	1	CS23001
CASPAR PIN DRIVER	1	CS23002
CASPAR PIN 12 mm	2	CS23003
CASPAR PIN 14 mm	2	CS23004
CASPAR PIN 16 mm	2	CS23005
CASPAR DISTRACTOR	1	CS23006
RASP 12x14	1	CS23007
RASP 14x16	1	CS23008
TRIAL HOLDER	1	CS23009
TRIAL 12x14 H4	1	CS23010
TRIAL 12x14 H5	1	CS23011
TRIAL 12x14 H6	1	CS23012
TRIAL 12x14 H7	1	CS23013
TRIAL 12x14 H8	1	CS23014
TRIAL 14x16 H4	1	CS23015
TRIAL 14x16 H5	1	CS23016
TRIAL 14x16 H6	1	CS23017
TRIAL 14x16 H7	1	CS23018
TRIAL 14x16 H8	1	CS23019
CERVICAL CAGE INSERTER AND REMOVER	1	CS23020
GREFT BOX	1	CS23021
GREFT PUNCH	1	CS23022
MALLET	1	CS23023
TRIAL AND IMPLANT BOX	1	CS23024
CONTAINER	1	CS23025
TRAY	1	CS23026

REF CODE	DESCRIPTION	ANGLE (S/I)
C04E244 ~ C04E248	BLADED EXPANDABLE CERVICAL PEEK CAGE 12x14x4 ~ 8 mm	5/0 Degree
C04E464 ~ C04E468	BLADED EXPANDABLE CERVICAL PEEK CAGE 14x16x4 ~ 8 mm	5/0 Degree

- » Blades for a more reliable holding between the endplates
- » Strong Grip And Easy Remove
- » Toothed Superior And Inferior Surface
- » Full Compliance To Posterior Region
- » Large Graft Area
- » Enabling the level adjustment



crea spine  
innovative solutions



[www.groupbtbmedical.com](http://www.groupbtbmedical.com)