

# INNOVATIVE SOLUTIONS



[ crea spine ]

A C I F C A G E  
EXPANDABLE



**BTB Medical**  
a subsidiary of **GROUP BTB**

[www.groupbtbmedical.com](http://www.groupbtbmedical.com)

# INNOVATIVE SOLUTIONS

# INNOVATIVE SOLUTIONS

## ACIF CAGE EXPANDABLE



The cervical expandable cage implant is produced from PEEK material, a thermoplastic solution compatible with the body and causes no artifact. Completely compatible with MRI for in-vivo applications. The cage system is also available in forms of; rigid, bladed, expandable and bladed expandable alternatives;

- Anatomically designed to match lordosis angle.
- Has a wide measurement range for height starting from 4 mm to 8 mm with 1 mm increment. External dimension range variations of 12x14mm and 14x16mm.
- Has special threaded structure for extra stabilization in the application area.
- The cage has large graft application space to provide maximum fusion.
- The functional and robust application sets are designed and manufactures to facilitate the surgical application as well as to provide comfort for the patient.



[www.groupbtbmedical.com](http://www.groupbtbmedical.com)

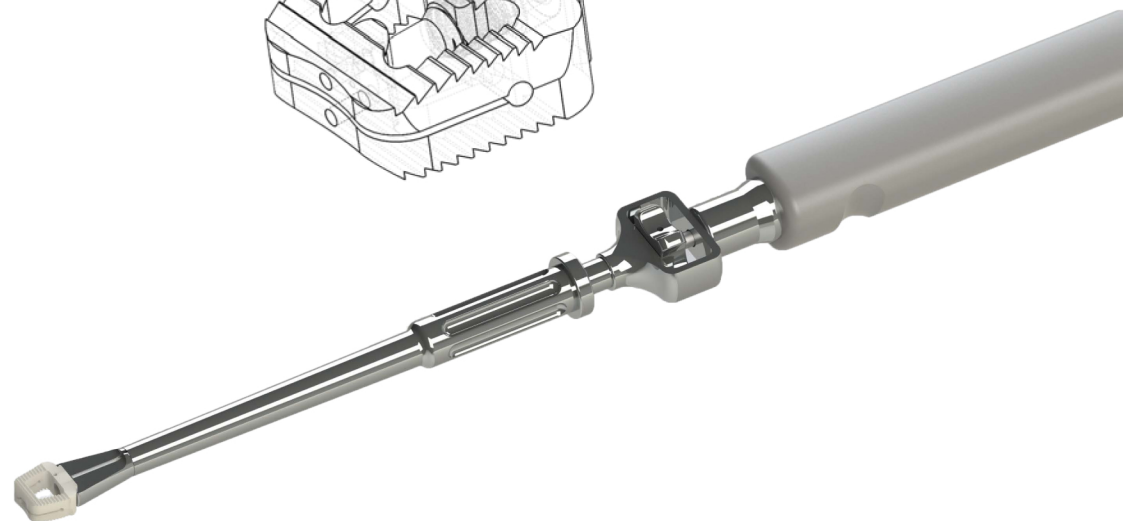
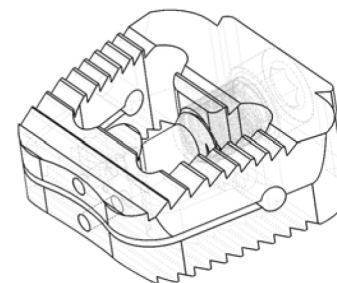
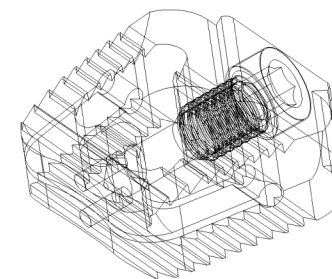
crea spine  
innovative solutions

## ACIF EXPANDABLE CAGE INSTRUMENT SET

DESCRIPTION	QUANTITY	REF.NO
AWL	1	CS22001
CASPAR PIN DRIVER	1	CS22002
CASPAR PIN 12 mm	2	CS22003
CASPAR PIN 14 mm	2	CS22004
CASPAR PIN 16 mm	2	CS22005
CASPAR DISTRACTOR	1	CS22006
RASP 12x14	1	CS22007
RASP 14x16	1	CS22008
TRIAL HOLDER	1	CS22009
TRIAL 12x14 H4	1	CS22010
TRIAL 12x14 H5	1	CS22011
TRIAL 12x14 H6	1	CS22012
TRIAL 12x14 H7	1	CS22013
TRIAL 12x14 H8	1	CS22014
TRIAL 14x16 H4	1	CS22015
TRIAL 14x16 H5	1	CS22016
TRIAL 14x16 H6	1	CS22017
TRIAL 14x16 H7	1	CS22018
TRIAL 14x16 H8	1	CS22019
CERVICAL CAGE INSERTER AND REMOVER	1	CS22020
GREFT BOX	1	CS22021
GREFT PUNCH	1	CS22022
MALLET	1	CS22023
TRIAL AND IMPLANT BOX	1	CS22024
CONTAINER	1	CS22025
TRAY	1	CS22026

REF CODE	DESCRIPTION	ANGLE (S/I)
C03244L ~ C03248L	EXPANDABLE CERVICAL PEEK CAGE L 12x14x4 ~ 8 mm	5/0 Degree
C03464L ~ C03468L	EXPANDABLE CERVICAL PEEK CAGE L 14x16x4 ~ 8 mm	5/0 Degree

- Enables level adjustment
- Strong grip and easy remove
- Toothed inferior and superior surfaces
- Full compliance to posterior region
- Large graft space
- Markers for X-ray



crea spine  
innovative solutions



[www.groupbtbmedical.com](http://www.groupbtbmedical.com)