

# INNOVATIVE SOLUTIONS

[ crea spine ]

P L I F C A G E  
EXPANDABLE



**BTB Medical**  
a subsidiary of **GROUP BTB**

[www.groupbtbmedical.com](http://www.groupbtbmedical.com)

# INNOVATIVE SOLUTIONS

# INNOVATIVE SOLUTIONS

## [ PLIF CAGE ] EXPANDABLE



The PLIF cage implant is produced from PEEK material, a thermoplastic solution compatible with the body and causes no artifact. Completely compatible with MRI for in-vivo applications. The cage system is also available in forms of; rigid, bladed, expandable and bladed expandable alternatives.

The PLIF system also provides the expandable PLIF cages including a simple but efficient mechanism which facilitates the positioning as well as providing a fit insertion to the region. Controlled expansion decreases the efficiency of the indirect decompression during the restoration of the disk length. The expansion without space for the cage also optimizes the prevention of cage shift.

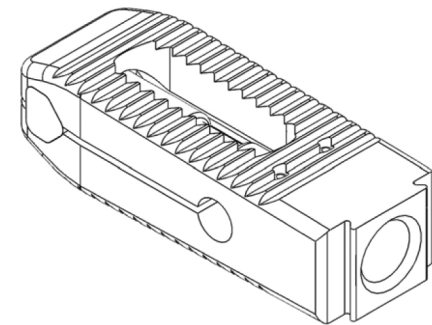
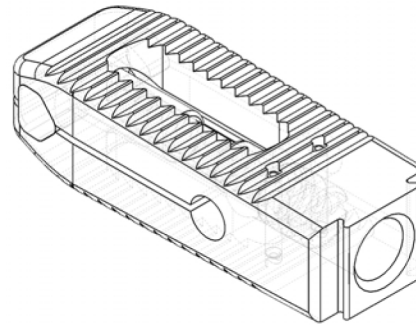
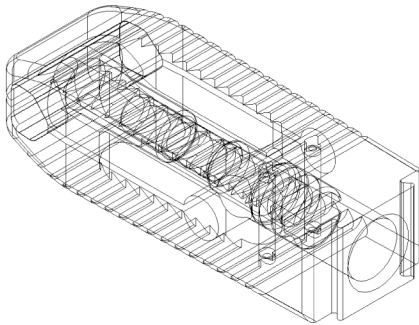
The shape of serration of the cage on the superior and inferior surface is designed for a firm fixation as ergonomically shaped anterior bullet edges and flat posterior edges are applied. The radiopaque markers are embedded into the cage to allow visualization of the cage's position in radiographic images.



[www.groupbtbmedical.com](http://www.groupbtbmedical.com)

[ crea spine ]  
innovative solutions

# M1

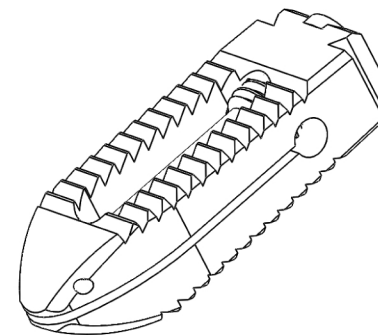
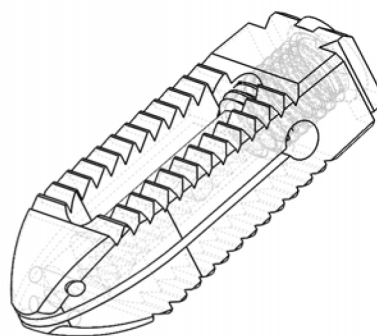
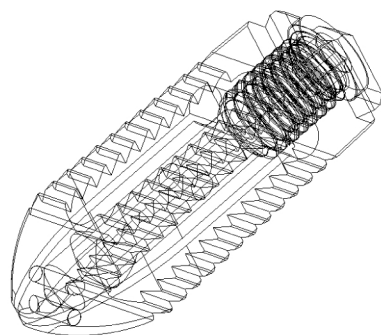


REF CODE	DESCRIPTION	ANGLE (S/I)
C1125107L ~ C1125113L	PLIF PEEK EXPANDABLE CAGE 25x10x7 ~ 13 mm L	5/0 Degree
C1127107L ~ C1127113L	PLIF PEEK EXPANDABLE CAGE 27x10x7 ~ 13 mm L	5/0 Degree

- Pin for X-ray
- Strong grip and easy remove
- Toothed superior and inferior surface
- Large graft space
- Titanium expansion mechanism



## M2



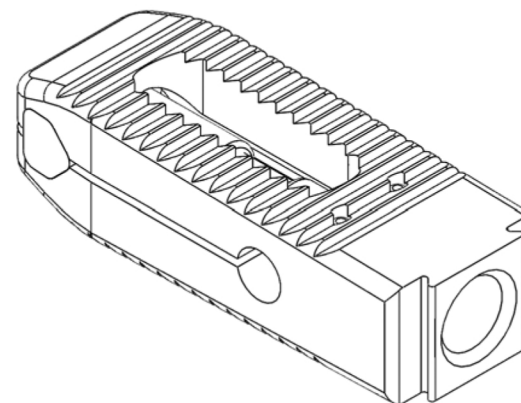
REF CODE	DESCRIPTION	ANGLE (S/I)
C112107L ~ C112113L	PLIF PEEK EXPANDABLE CAGE 25x10x7 ~ 13 mm L	5/0 Degree
C1121074 ~ C1121134	PLIF PEEK EXPANDABLE CAGE 25x10x7 ~ 13 mm 4 DEG.	2/2 Degree
C1121078 ~ C1121138	PLIF PEEK EXPANDABLE CAGE 25x10x7 ~ 13 mm 8 DEG.	4/4 Degree
C1121070 ~ C1121130	PLIF PEEK EXPANDABLE CAGE 25x10x7 ~ 13 mm 0 DEG.	0/0 Degree

- Pin for X-ray
- Strong grip and easy remove
- Toothed superior and inferior surface
- Large graft space
- Titanium expansion mechanism

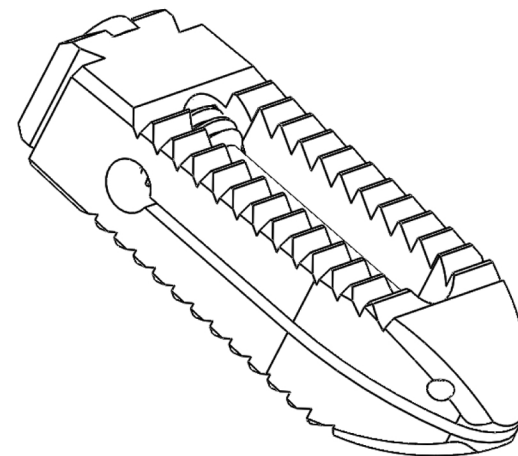


## PLIF EXPANDABLE CAGE INSTRUMENT SET

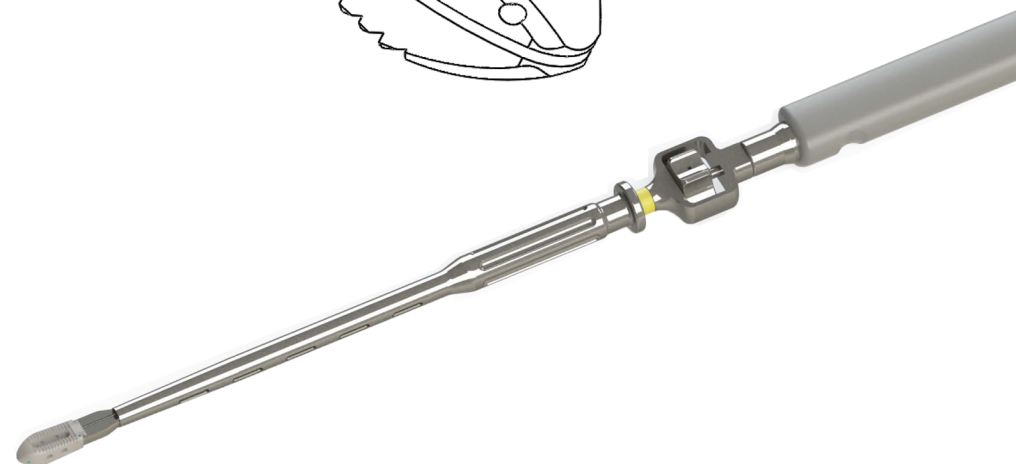
DESCRIPTION	QUANTITY	REF.NO
PLIF EXPANDABLE CAGE DRIVER/REMOVER	1	CS32001
I HANDLE I/O COUPLING	1	CS32002
SQUARE SHAPED CURETTE	1	CS32003
SHARP SPOON CURETTE / LEFT	1	CS32004
SHARP SPOON CURETTE / RIGHT	1	CS32005
CURETTE / LEFT	1	CS32006
CURETTE / RIGHT	1	CS32007
SHAVER 7 mm	1	CS32008
SHAVER 8 mm	1	CS32009
SHAVER 9 mm	1	CS32010
SHAVER 10 mm	1	CS32011
SHAVER 11 mm	1	CS32012
TRIAL 7 mm	1	CS32013
TRIAL 8 mm	1	CS32014
TRIAL 9 mm	1	CS32015
TRIAL 10 mm	1	CS32016
TRIAL 11 mm	1	CS32017
TRIAL 12 mm	1	CS32018
TRIAL 13 mm	1	CS32019
TRIAL HOLDER	1	CS32020
GREFT BOX	1	CS32021
GREFT PUNCH	1	CS32022
MALLET (SLOTTED)	1	CS32023
TRIAL AND IMPLANT BOX	1	CS32024
CONTAINER	1	CS32025
TRAY	1	CS32026



M1



M2



crea spine  
innovative solutions



[www.groupbtbmedical.com](http://www.groupbtbmedical.com)