

INNOVATIVE SOLUTIONS



[crea spine]

A C I F C A G E
ANTERIOR EXPANDABLE



BTB Medical
a subsidiary of **GROUP BTB**

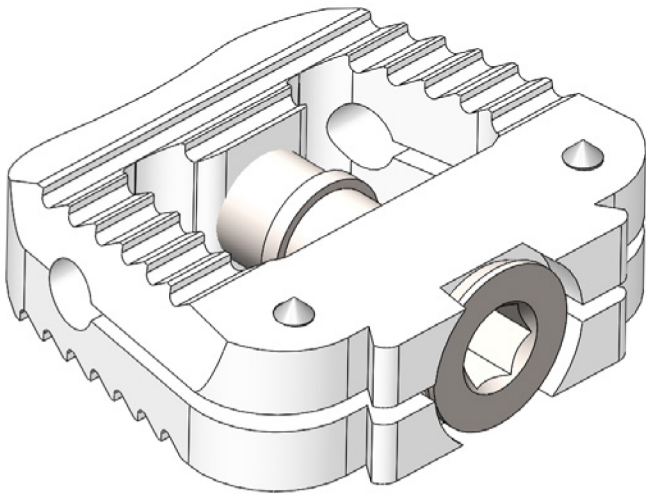
www.groupbtbmedical.com

INNOVATIVE SOLUTIONS

INNOVATIVE SOLUTIONS

ACIF CAGE

ANTERIOR EXPANDABLE



The anterior expandable cage implant is produced from PEEK material, a thermoplastic solution compatible with the body and causes no artifact. Completely compatible with MRI for in-vivo applications. The cage system is also available in forms of; rigid, bladed, expandable and bladed expandable alternatives;

- Anatomically designed to match lordosis angle.
- Has a wide measurement range for height starting from 4 mm to 8 mm with 1 mm increment. External dimension range variations of 12x14mm and 14x16mm.
- Has special threaded structure for extra stabilization in the application area.
- The cage has large graft application space to provide maximum fusion.
- The functional and robust application sets are designed and manufactures to facilitate the surgical application as well as to provide comfort for the patient.



www.groupbttmedical.com

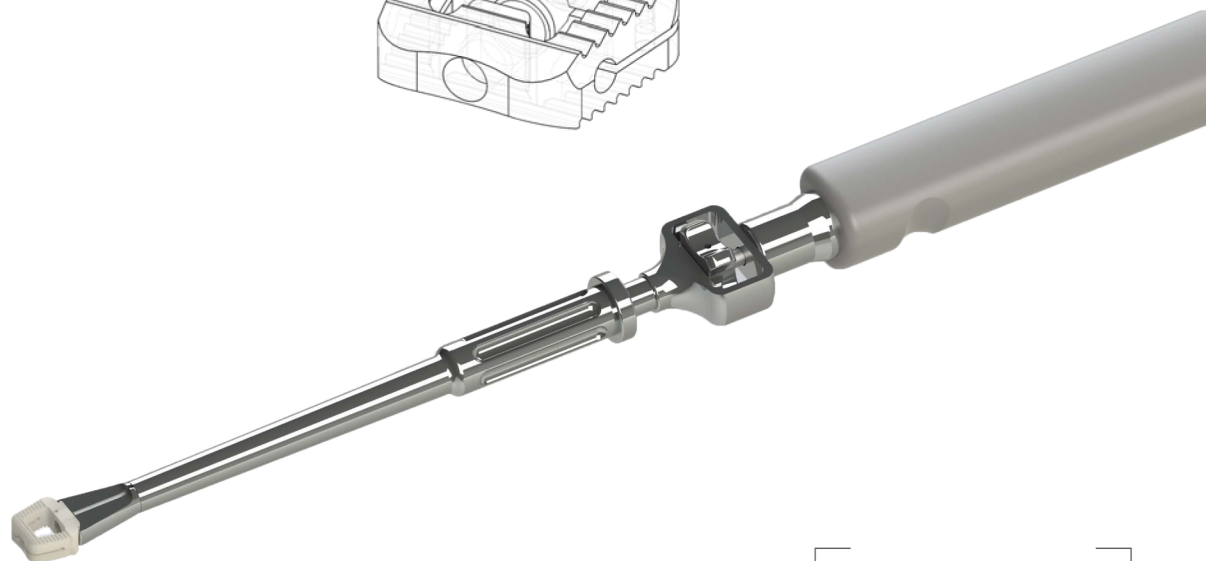
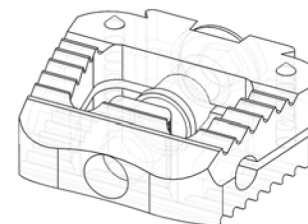
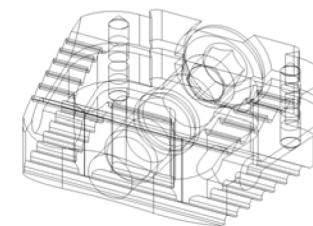
crea spine
innovative solutions

ACIF ANTERIOR EXPANDABLE CAGE INSTRUMENT SET

DESCRIPTION	QUANTITY	REF.NO
AWL	1	CS25001
CASPAR PIN DRIVER	1	CS25002
CASPAR PIN 12 mm	2	CS25003
CASPAR PIN 14 mm	2	CS25004
CASPAR PIN 16 mm	2	CS25005
CASPAR DISTRACTOR	1	CS25006
RASP 12x14	1	CS25007
RASP 14x16	1	CS25008
TRIAL HOLDER	1	CS25009
TRIAL 12x14 H4	1	CS25010
TRIAL 12x14 H5	1	CS25011
TRIAL 12x14 H6	1	CS25012
TRIAL 12x14 H7	1	CS25013
TRIAL 12x14 H8	1	CS25014
TRIAL 14x16 H4	1	CS25015
TRIAL 14x16 H5	1	CS25016
TRIAL 14x16 H6	1	CS25017
TRIAL 14x16 H7	1	CS25018
TRIAL 14x16 H8	1	CS25019
CERVICAL CAGE INSERTER AND REMOVER	1	CS25020
GREFT BOX	1	CS25021
GREFT PUNCH	1	CS25022
MALLET	1	CS25023
TRIAL AND IMPLANT BOX	1	CS25024
CONTAINER	1	CS25025
TRAY	1	CS25026

REF CODE	DESCRIPTION	ANGLE(S/I)
C03244AL~C03248AL	ANTERIOR EXPANDABLE CERVICAL CAGE L 12x14 H: 4 ~ 8 mm	5/0 Degree
C03464AL~C03468AL	ANTERIOR EXPANDABLE CERVICAL CAGE L 14x16 H: 4 ~ 8 mm	5/0 Degree

- Pin for X-ray and maximum hold
- Strong grip and easy remove
- Toothed inferior and superior surfaces
- Full compliance to posterior region
- Large graft space
- Anterior Expandable Cage is also available in Titanium



crea spine
innovative solutions



www.groupbtbmedical.com