

INNOVATIVE SOLUTIONS



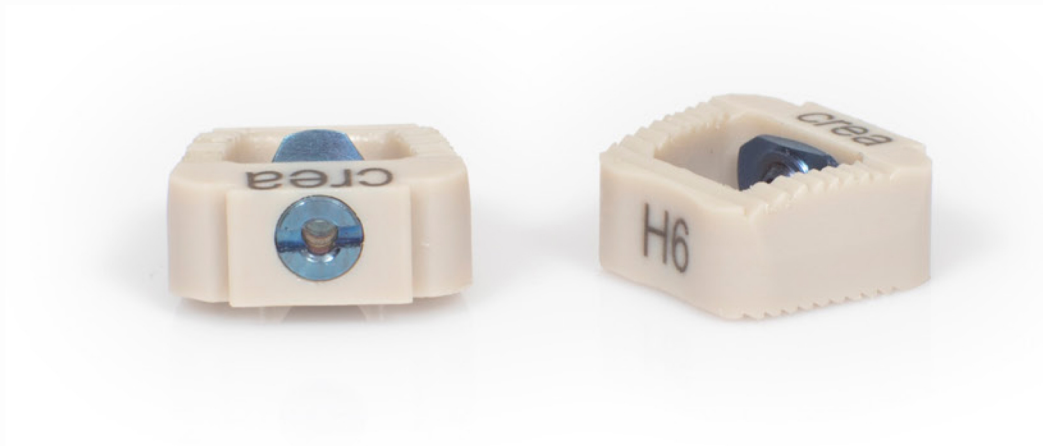
[crea spine]

A C I F C A G E
BLADED

INNOVATIVE SOLUTIONS

INNOVATIVE SOLUTIONS

[ACIF CAGE] BLADED



The anterior bladed cage implant is produced from PEEK material, a thermoplastic solution compatible with the body and causes no artifact. Completely compatible with MRI for in-vivo applications. The cage system is also available in forms of; rigid, bladed, expandable and bladed expandable alternatives;

- Anatomically designed to match lordosis angle.
- Has a wide measurement range for height starting from 4 mm to 8 mm with 1 mm increment. External dimension range variations of 12x14mm and 14x16mm.
- Has special threaded structure for extra stabilization in the application area.
- The cage has large graft application space to provide maximum fusion.
- The functional and robust application sets are designed and manufactures to facilitate the surgical application as well as to provide comfort for the patient.



www.groupbtbmedical.com

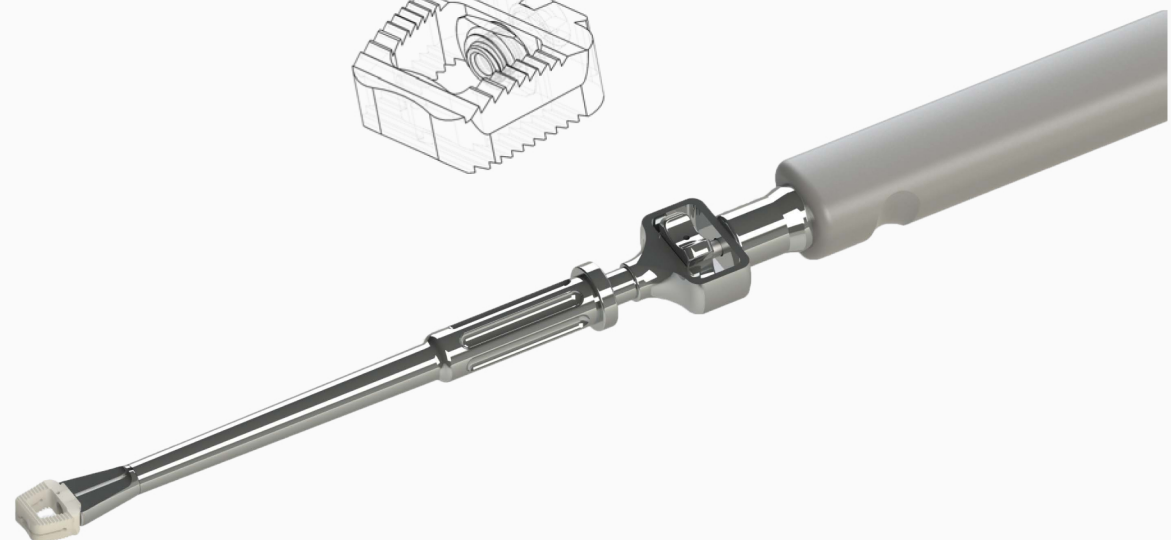
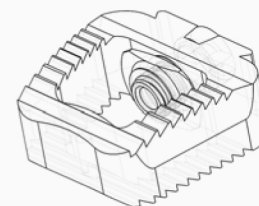
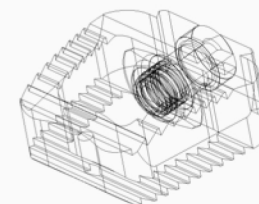
[crea spine]
innovative solutions

ACIF BLADED CAGE INSTRUMENT SET

DESCRIPTION	QUANTITY	REF.NO
AWL	1	CS21001
CASPAR PIN DRIVER	1	CS21002
CASPAR PIN 12 mm	2	CS21003
CASPAR PIN 14 mm	2	CS21004
CASPAR PIN 16 mm	2	CS21005
CASPAR DISTRACTOR	1	CS21006
RASP 12x14	1	CS21007
RASP 14x16	1	CS21008
TRIAL HOLDER	1	CS21009
TRIAL 12x14 H4	1	CS21010
TRIAL 12x14 H5	1	CS21011
TRIAL 12x14 H6	1	CS21012
TRIAL 12x14 H7	1	CS21013
TRIAL 12x14 H8	1	CS21014
TRIAL 14x16 H4	1	CS21015
TRIAL 14x16 H5	1	CS21016
TRIAL 14x16 H6	1	CS21017
TRIAL 14x16 H7	1	CS21018
TRIAL 14x16 H8	1	CS21019
CERVICAL CAGE INSERTER AND REMOVER	1	CS21020
GREFT BOX	1	CS21021
GREFT PUNCH	1	CS21022
MALLET	1	CS21023
TRIAL AND IMPLANT BOX	1	CS21024
CONTAINER	1	CS21025
TRAY	1	CS21026

REF CODE	DESCRIPTION	ANGLE (S/I)
C04244L ~ C04248L	BLADED CERVICAL PEEK CAGE L 12x14x4 ~ 8	5/0 Degree
C04464L ~ C04468L	BLADED CERVICAL PEEK CAGE L 12x16x4 ~ 8	5/0 Degree

- Blades for a more reliable holding between endplates
- Strong grip and easy remove
- Toothed inferior and superior surfaces
- Full compliance to posterior region
- Large graft space



crea spine
innovative solutions



www.groupbtbmedical.com